



Features

- **Powerful shear force provides highly security.**
- **Compatible with double swinging doors.**
- **suitable for narrow door width installation**
- **Optional SMB-001 brackets for surface mount installation.**
- **Horizontal or vertical installation.**
- **Anti-Residual magnetism designed.**
- **Power input 12 to 28 VDC (self-regulating).**

Statement

GEM Shear Locks provide up to 2700 pounds shearing force and fully concealed flush mounting in aluminum, wood and steel doors, combine the best in failsafe performance with the most advanced features in shear lock design. Concealed lock mounting is an important feature, enhancing aesthetic appearance. Standard built-in field adjustable automatic relock switch with a 1 to 6 second relock time delay.

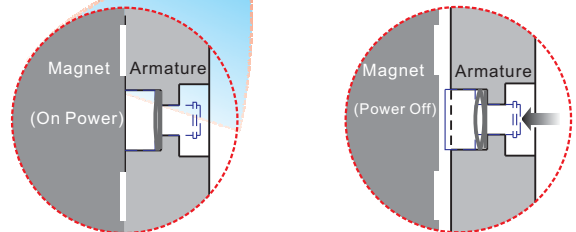
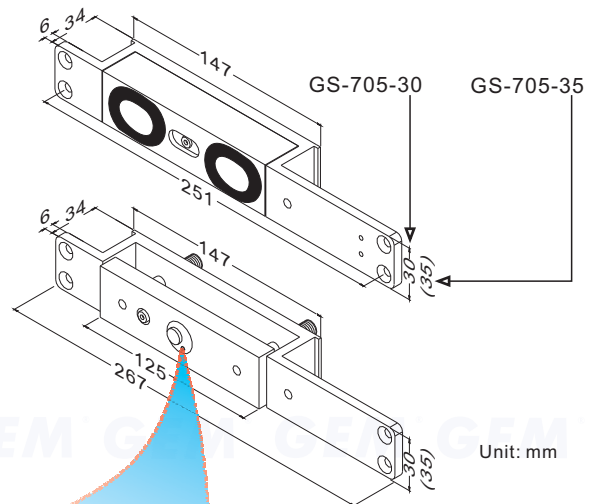
The GS-705 series are available in two models, GS-705-30 and GS-705-35. we fitted in either aluminum, wooden, steel or exit doors with the assistance of SMB-001 bracket. This manual gives a guide to all of the above applications and other useful installation information.

Patent

- 113640
- ZL96-2-15062.2

Specifications

- Voltage Tolerance: 10%
- Current Draw:
 - GS-705-35: Pull in: 1.9A, Holding: 0.55A@12V DC, Pull in: 1.2A, Holding: 0.35A@24V DC
 - GS-705-30: Pull in: 1.7A, Holding: 0.5A@12V DC, Pull in: 1.1A, Holding: 0.32A@24V DC at temperature 20C
- Magnetic bond sensor monitor output(SPDT rated 1A@30VDC), indicates the door locked or unlocked.
- Operating Temperature: -30~+55C
- Humidity: 0~95% non-condensing.
- Lock's surface Temperature (when the power is on): <current temperature +20C
- Shearing Force: Up to 2700 lbs (1226 Kg) in shear.
- Locking time delay: 1~6 seconds adjustable
- Door Gap (Between the Lock and Armature plate): 3mm (1/8") maximum
- Special Finishes for magnet and armature plate: Zinc
- Housing: Black powder coated
- Epoxy Potting Compound: E87252 (S), UL94V-0
- Weight (Approx.):
 - GS-705-35: 2.2 Kg
 - GS-705-30: 1.8 Kg



Unique Anti-Residual design

When there is no power, there will be no holding force, and the Push-off button inside the Armature Plate will pop out immediately to release the Electromagnetic Lock and the Armature Plate. The instant release circuit function will prevent residual magnetism between Electromagnetic Lock and the Armature Plate.

GIANNI INDUSTRIES, INC.

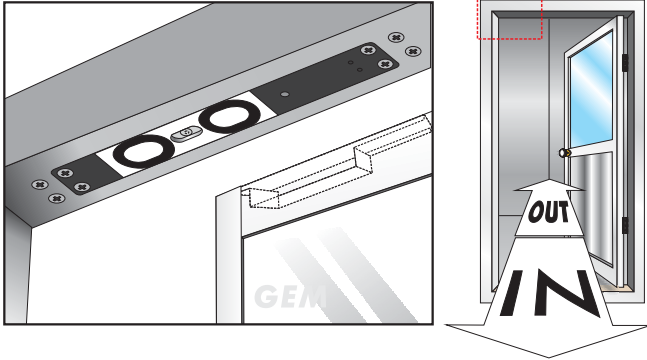
No. 13, Zhong Sing Road, Tu-Cheng Industrial Zone,
 Tu-Cheng City, Taipei, Taiwan 23678
 Tel: 886-2 2267 7986 / Fax: 886-2 2267 9876
 E-Mail: info@gianni.com.tw
 Website: gianni.tw
 Copyright 2008 Gianni industries, inc. All rights reserved.
 DM-CA-GS-705 Ver. D Published on 2008.05.14



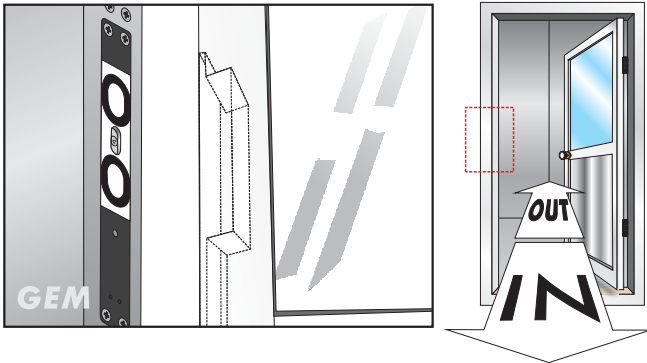
The products are manufactured under an ISO 9001 & QC 080000 Certified Quality Management Program environment back its product quality, performance and commitment to customer satisfaction.

● Application

Horizontal Installation

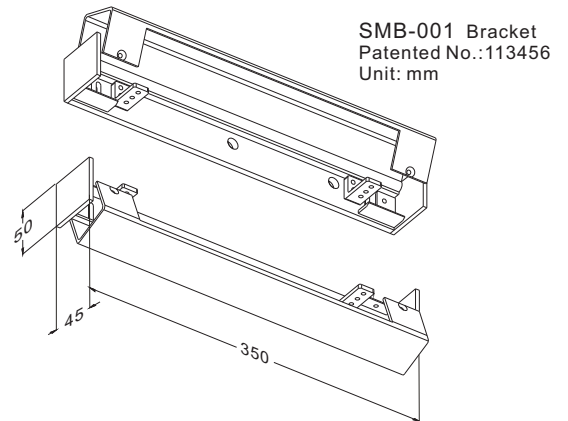


Vertical Installation

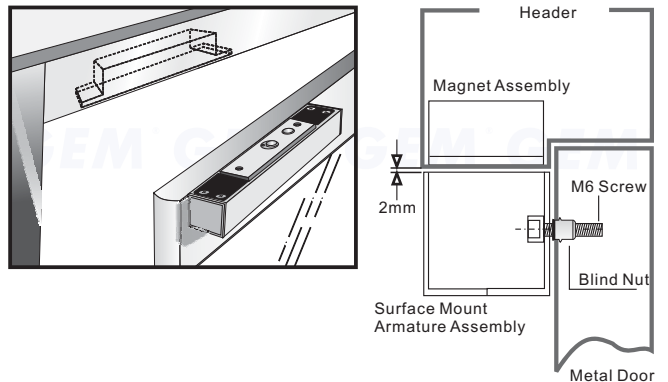


● Optional Brackets

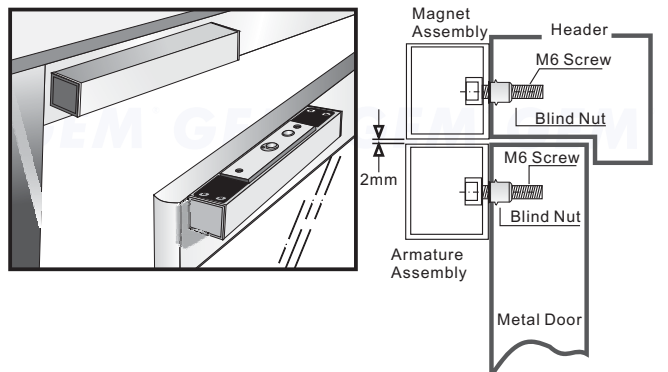
The GS-705-35 may also be fitted semi-flush or surface installation with the use of the SMB-001 Brackets. The magnet should be fitted to the door transom and the housing holding the armature on to the door. It is vital that a minimum gap of 3mm exists between the magnet and the armature, to allow correct operation.



Semi-Flush Installation



Surface Installation



● Warranty

The product is warranted against defects in material and workmanship while used in normal service for a period of 5 year from the date of sale to the original customer. The GEM policy is one of continual development and improvement; therefore GEM reserves the right to change specifications without notice.

GIANNI INDUSTRIES, INC.

No. 13, Zhong Sing Road, Tu-Cheng Industrial Zone,
 Tu-Cheng City, Taipei, Taiwan 23678
 Tel: 886-2 2267 7986 / Fax: 886-2 2267 9876
 E-Mail: info@gianni.com.tw
 Website: gianni.tw
 Copyright 2008 Gianni industries, inc. All rights reserved.
 DM-CA-GS-705 Ver. D Published on 2008.05.14



The products are manufactured under an ISO 9001 & QC 080000 Certified Quality Management Program environment back its product quality, performance and commitment to customer satisfaction.