

### 4MP IR Fixed Eyeball Network Camera

IPD-3614LSA-28F



#### Key Features



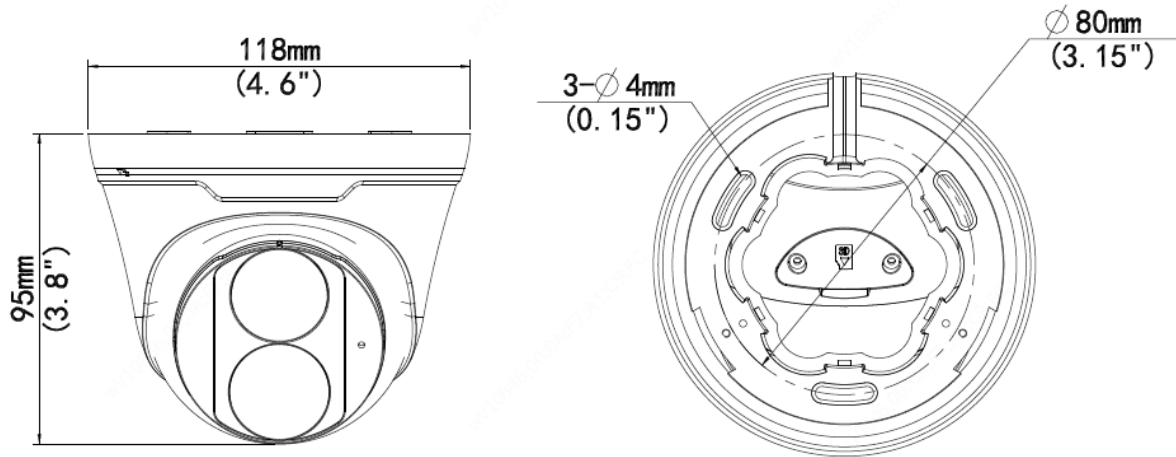
- High quality image with 4MP, 1/3"CMOS sensor
- 4MP (2688\*1520)@ 30/25fps; 4MP (2560\*1440)@ 30/25fps; 3MP (2304\*1296) @30/25fps; 2MP (1920\*1080) @30/25fps;
- Ultra 265, H.265, H.264, MJPEG
- Smart (VCA): Cross line, intrusion) based on human body and vehicle detection
- 120dB True WDR technology enables clear image in strong light scene
- Support 9:16 Corridor Mode
- Built-in Mic
- Smart IR, up to 30m IR distance
- Supports 256 GB Micro SD card
- IP67 protection
- Support PoE power supply

## Specifications

IPD-3614LSA-28F					
Camera					
Sensor	1/3", 4.0-megapixel, progressive scan, CMOS				
Lens	2.8mm@F1.6				
DORI Distance	Lens (mm)	Detect (m)	Observe (m)	Recognize (m)	Identify (m)
	2.8	63.0	25.2	12.6	6.3
Angle Of View (H)	101.1°				
Angle Of View (V)	55.3°				
Angle Of View (O)	111.1°				
Adjustment angle	Pan: 0° ~ 360°		Tilt: 0° ~ 80°	Rotate: 0° ~ 360°	
Shutter	Auto/Manual, 1 ~ 1/100000s				
Minimum Illumination	Colour: 0.003Lux (F1.6, AGC ON) 0Lux with IR				
Day/Night	IR-cut filter with auto switch (ICR)				
Digital noise reduction	2D/3D DNR				
S/N	>56dB				
IR Range	Up to 30m IR range				
Wavelength	850nm				
IR On/Off Control	Auto/Manual				
Defog	Digital Defog				
WDR	120dB				
Video					
Video Compression	Ultra 265, H.265, H.264, MJPEG				
H.264 Code Profile	Baseline profile, Main profile, High profile				
Frame Rate	Main Stream: 4MP (2688*1520), Max 30fps; 4MP (2560*1440), Max 30fps; 3MP (2304*1296), Max 30fps; 1080P (1920*1080), Max 30fps; Sub Stream: 720P (1280*720), Max 30fps; D1 (720*576), Max 30fps; 640*360, Max 30fps; 2CIF(704*288), Max 30fps; CIF(352*288), Max 30fps;				
Video Bit Rate	128 Kbps~16 Mbps				
9:16 Corridor Mode	Supported				
OSD	Up to 4 OSDs				
Privacy Mask	Up to 4 areas				
ROI	Up to 8 areas				
Motion Detection	Up to 4 areas				
Image					
White Balance	Auto/Outdoor/Fine Tune/Sodium Lamp/Locked/Auto2				
Digital noise reduction	2D/3D DNR				
Smart IR	Supported				
Flip	Normal/Vertical/Horizontal/180°/90°Clockwise/90°Anti-clockwise				
Dewarping	N/A				
HLC	Supported				

BLC	Supported
<b>Smart</b>	
Behavior Detection	Cross line (4pcs) / Intrusion (4pcs) based on human body and vehicle detection, motion detection, tampering alarm, audio detection
General Function	Watermark, IP address filtering, access policy, ARP protection, RTSP authentication, user authentication, HTTP authentication
<b>Network</b>	
Protocols	IPv4, IGMP, ICMP, ARP, TCP, UDP, DHCP, RTP, RTSP, RTCP, RTMP, DNS, DDNS, NTP, FTP, UPnP, HTTP, HTTPS, SMTP, SSL, 802.1x, SNMP
Compatible Integration	ONVIF (Profile S, Profile G, Profile T), API
Client	GuardStation GuardView GuardLive
Web Browser	Plug-in required live view: IE9+, Chrome 41 and below, Firefox 52 and below
	Plug-in free live view: Chrome 57.0+, Firefox 58.0+, Edge 16+, Safari 11+
<b>Audio</b>	
Audio Compression	G.711
Suppression	Supported
Sampling Rate	8KHZ
<b>Storage</b>	
Edge Storage	Micro SD, up to 256 GB
Network Storage	ANR, NAS(NFS)
<b>Interface</b>	
Network	10/100M Base-TX Ethernet
Built-in Mic	Supported
<b>Certifications</b>	
Certifications	CE: EN 60950-1 UL: UL60950-1 FCC: FCC Part 15
<b>General</b>	
Power	DC 12V±25%, PoE (IEEE 802.3af)
	Power consumption: max 6.0W
Dimensions (∅ x H)	∅118 x 95mm
Net Weight	0.35kg
Material	Metal + Plastic
Working Environment	-30°C ~ 60°C, Humidity: ≤95% RH (non-condensing)
Storage Environment	-30°C ~ 60°C, Humidity: ≤95% RH (non-condensing)
Surge Protection	2KV
Ingress Protection	IP67
Reset Button	N/A

## Dimensions



## Accessories

TR-JB03-I-IN	TR-WM03-D-IN	TR-UP06-IN	TR-A01-IN
			
	TR-SE24-A-IN	TR-CM24-IN	
			

Junction Mount	Hanging	Pole Mount
TR-JB03-I-IN	TR-CM24-IN + TR-JB03-I-IN	TR-WM03-D-IN + TR-UP06-IN
